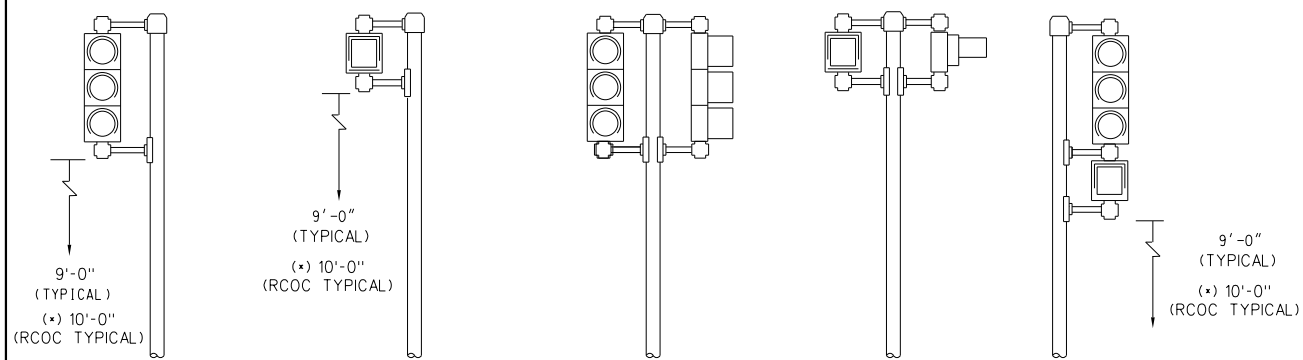
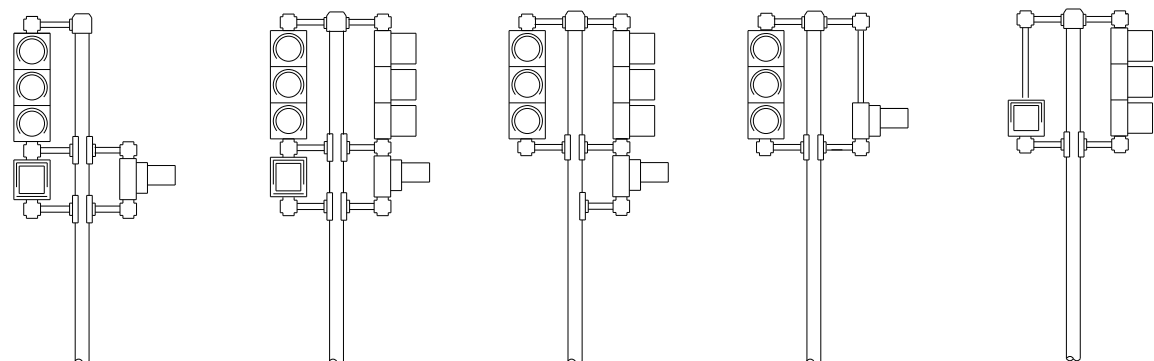


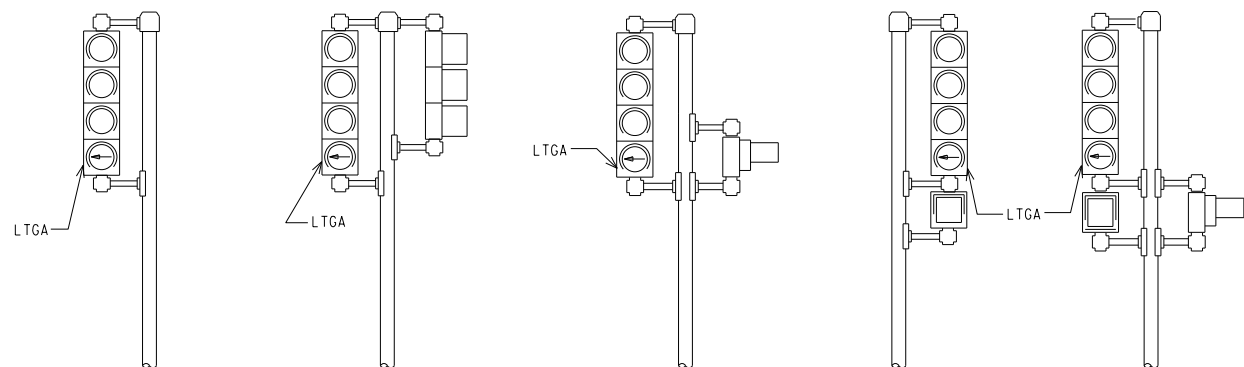
(\* Refer to Note 4 on Sheet 2 of 2.



DETAIL "A-2"      DETAIL "B-2"      DETAIL "C-2"      DETAIL "D-2"      DETAIL "E-2"

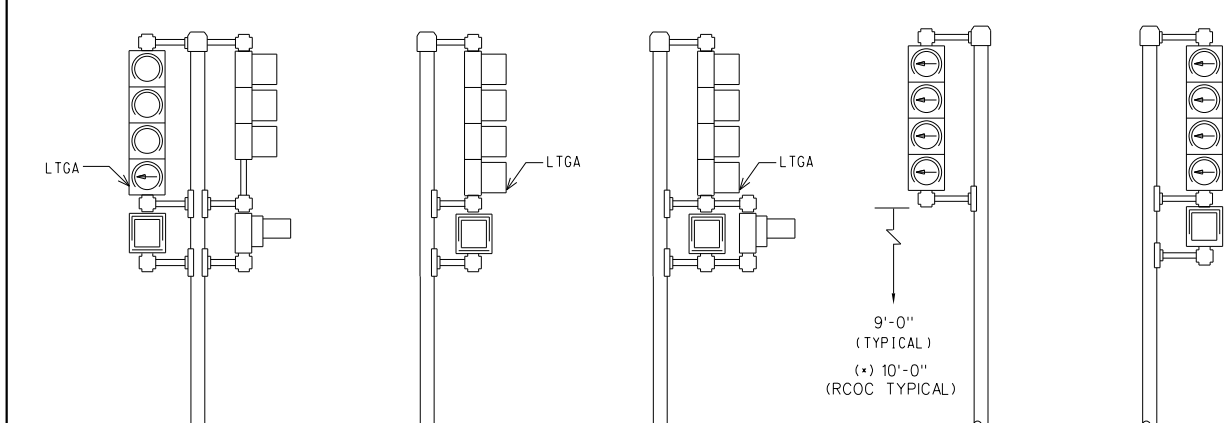


DETAIL "F-2"      DETAIL "G-2"      DETAIL "H-2"      DETAIL "I-2"      DETAIL "J-2"



DETAIL "K-2"      DETAIL "L-2"      DETAIL "M-2"      DETAIL "N-2"      DETAIL "O-2"

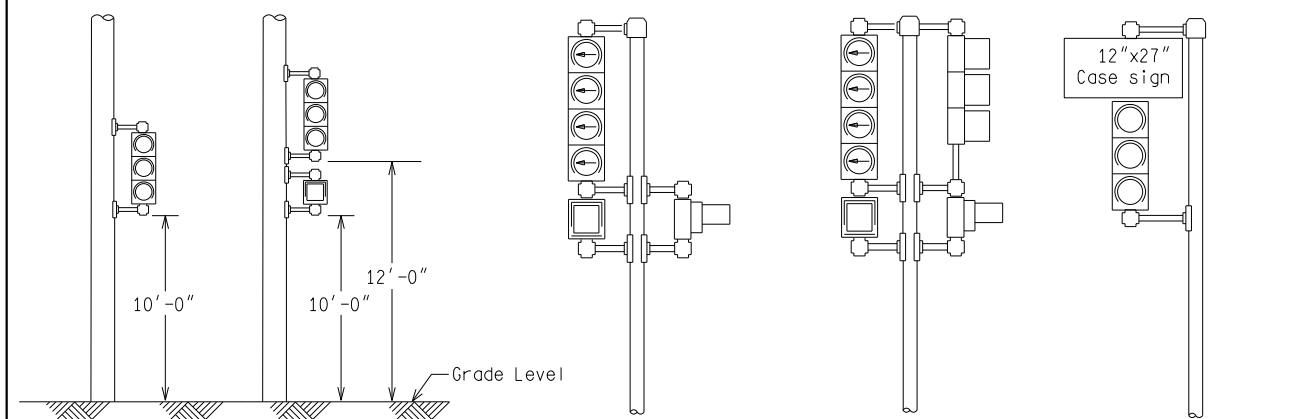
Left Turn Green Arrow (LTGA)



DETAIL "P-2"      DETAIL "Q-2"      DETAIL "R-2"      DETAIL "S-2"      DETAIL "T-2"

Left Turn Green Arrow (LTGA)

Flashing Yellow Arrow (FYA)



RCOC Mounting Detail (\* see note)      DETAIL "U-2"      DETAIL "V-2"      DETAIL "Typical"

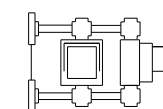
(FYA)

(FYA)

WITH CASE SIGN

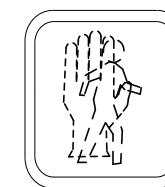
NOTE:

- 1) Pipe assembly shall be such length and height as to accommodate traffic signals and pedestrian signals for proper maintenance and clear vehicular and pedestrian viewing.
- 2) Pipe assembly shall be of such length and height as to accommodate an illuminated (12"x27") case sign for proper maintenance and clear vehicular viewing.
- 3) Bracket lengths are 16 inches for LED pedestrian signals and for LED pedestrian countdown signals.
- 4) Tolerance within +/- 1/8" for bracketing.

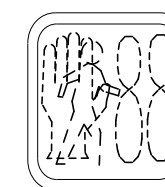


LED PED

NOTE: Walking person and hand symbol are filled.



LED PED (filled)



Countdown LED PED (filled symbols)

(\* For projects maintained by the Road Commission for Oakland County (RCOC), use the bottom heights and bracket assemblies as shown for the RCOC mounting detail.

NOT TO SCALE

MICHIGAN DEPARTMENT OF TRANSPORTATION BUREAU OF HIGHWAYS DELIVERY STANDARD PLAN	(SPECIAL DETAIL) FHWA APPROVAL DATE	PLAN DATE	SIG-330-A	SHEET 2 of 2
--	--	-----------	-----------	--------------

NOT TO SCALE

File: RefDoc/TR/Signals/Web/Sp Det/F in/SIG330A.dgn Rev. 02/16/17



ENGINEER OF DELIVERY

PREPARED BY  
TRAFFIC AND SAFETY

ENGINEER OF DEVELOPMENT

DRAWN BY:

(SPECIAL DETAIL)

CHECKED BY:

FHWA APPROVAL DATE

PLAN DATE

SIG-330-A

SHEET 1 of 2

AS-LET PLAN REVISIONS

NO.	DATE	AUTH	DESCRIPTION	NO.	DATE	AUTH	DESCRIPTION



FILE:

DATE:

CS:

DESIGN UNIT:

JN:

TSC:

DRAWING SHEET